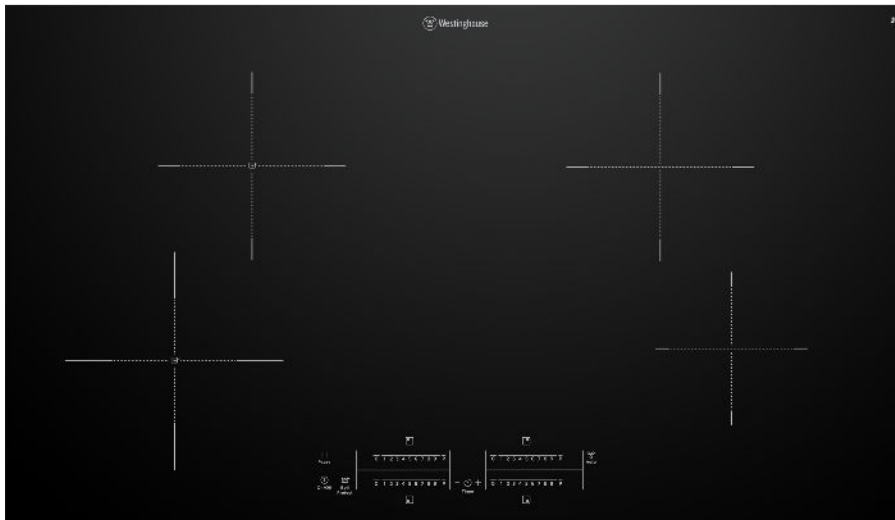


90cm 4 zone induction cooktop with BoilProtect (2 zones), Hob2Hood, PowerBoost, Pause and touch controls.



Product Details

FEATURES

BoilProtect

Hob2Hood

PowerBoost

Pause

6.5kW rated input power

QuickCook Timer

Touch control

Residual heat indicator

Child safety device

Easy clean ceramic surface

BENEFITS

No more boiling over

There are more exciting things to do than watching water boil. BoilProtect detects rising bubbles and automatically reduces to a low simmer. No more constant monitoring so you can focus on the flavours. Applies to stainless steel and enamelled pots filled with water only.

Clear the air with Hob2Hood

With Hob2Hood technology, compatible rangehoods work seamlessly with your induction or ceramic cooktop to clear your kitchen of cooking smells and steam. As you start cooking, the rangehood will automatically turn on then intuitively adjust the fan speed and airflow to match your cooking. How's that for hands-free convenience?

Hold everything with our clever Pause function

We know that family life is full of distractions. That's why you'll appreciate our clever Pause function. Simply touch the Pause icon on your cooktop and all operating induction zones will drop to Keep Warm mode. When you're ready to go again, hit Pause again and settings will return to where you left off.

Zero to Boil in no time

With PowerBoost, you can rapidly boil a pot of water or quickly heat up a frying pan. Spend less time waiting and more time creating your favourite meals.

Transition to induction with ease

If switching to an induction cooktop is on your to-do list, you can upgrade with extra ease if your new induction cooktop shares the same rated input power as your old ceramic or electric cooktop. All you will need to do is get used to having instant control of your cooking.

Timed to perfection

Never over-cook or burn dinner again. Just set the cooking time and your cooktop will automatically turn the heat off for you.

Specifications

PRODUCT PROFILE

Domestic warranty details (yrs)	2
Cooktop type	induction
Materials/Colour	black ceramic glass

CONTROLS

Controls of Cooktops	touch
Position of controls	front
Functions of Cooktops	timer,Keep warm function,pause,PowerBoost,Hob2Hood
Indicators/display	fault indicator,residual heat warning lamps
Features of Cooktop	minute minder,safety cut off,electronic timer,safety child lock,hot surface indicator,Hob2Hood,BoilProtect

DIMENSIONS

Total product height (mm)	51
Total product width (mm)	900
Total product depth (mm)	520
Cut out width (mm)	880
Cut out depth (mm)	490

ELEMENTS/BURNERS

LEFT FRONT ZONE

Left front zone	induction
Left front Watts	2300
Left front boost watts	3600
Left front number of cooking zones	1
Left front diameter mm	210

CONTROLS

Timer of Cooktop programmable 99min,countdown

Readable temperature setting No

LEFT REAR ZONE

Left rear zone induction

Left rear watts 1800

Left rear number of cooking zones 1

Left rear diameter mm 140

RIGHT REAR ZONE

Right rear zone induction

Right rear watts 1800

Right rear number of cooking zones 1

Right rear diameter mm 180

RIGHT FRONT ZONE

Right front zone induction

Right front Watts 1400

Right front number of cooking zones 1

Right front diameter mm 140

ELECTRICAL SPECIFICATIONS

Connected load KW 6.5

Type of connection hardwired

SHIPPING

Shipping Volume (m3)	0.0648
----------------------	--------

Shipping Weight (Kg)	14.5
----------------------	------

Pack Dimensions Height (mm)	108
-----------------------------	-----

Pack Dimension Width (mm)	1000
---------------------------	------

Pack Dimension Depth (mm)	600
---------------------------	-----

STUFFING QUANTITIES

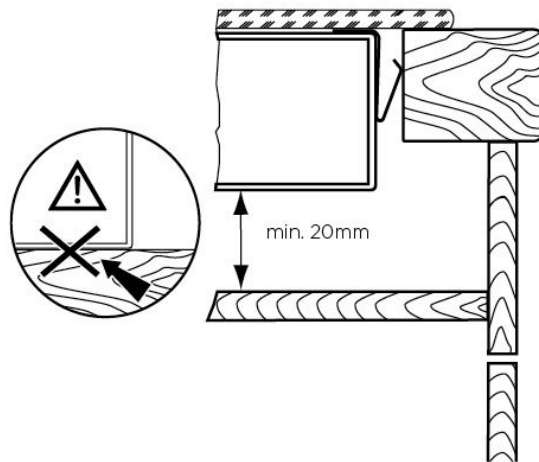
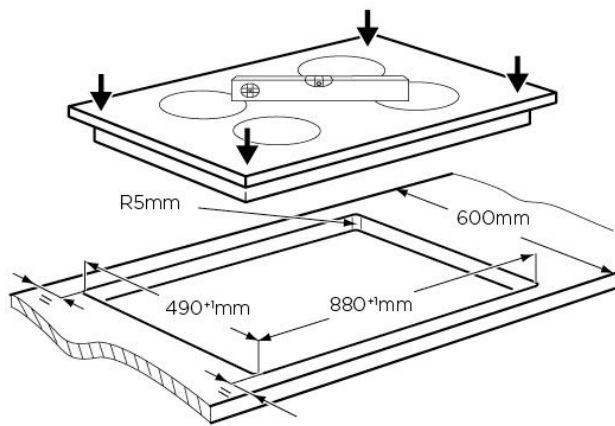
20ft	400
------	-----

40ft HC	924
---------	-----

Dimensions

90cm induction cooktops

WHI943BD, WHI955BD



IMPORTANT

These dimensions are a guide only. All measurements are in millimetres (mm). For complete installation instructions, refer to the manual provided with product.

Terms and Conditions

IMPORTANT

This is a guide of product dimensions only. For complete installation instructions, refer to the manual provided with product.

PRODUCT INFORMATION

The descriptors and illustrations in this publication apply to the specific products and models described as at the date of issue. Under our policy of continuous product development, product specifications may change without notice. Prospective purchasers should therefore check with their retailer to ensure this publication correctly describes the products that are being offered for sale. All information supplied is to be used for general reference purposes only and is on the understanding that Electrolux Home Products Pty Ltd (Australia) and Electrolux (NZ) Ltd (New Zealand) will not be liable for any loss, liability or damage of whatever kind arising as a result of reliance on such information. Colours of products illustrated are as close as printing limitations allow. Electrolux will at all times comply with its obligations pursuant to law including Trade Practices (Australian Consumer Law) Act and Regulations.

WARRANTY

This warranty only applies to Appliances purchased and used in Australia or New Zealand and used in normal domestic applications and is in addition to (and does not exclude, restrict, or modify in any way) any non-excludable statutory warranties in Australia or New Zealand. All warranties are subject to the conditions set out in the warranty card accompanying the product when purchased.

ELECTROLUX HOME PRODUCTS AUSTRALIA

telephone: 1300 363 640

fax: 1800 350 067

email: customercare@electrolux.com.au

web: www.electrolux.com.au

ELECTROLUX HOME PRODUCTS NEW ZEALAND

telephone: 09 573 2230

fax: 09 573 2221

email: customercare@electrolux.co.nz

web: www.electrolux.co.nz