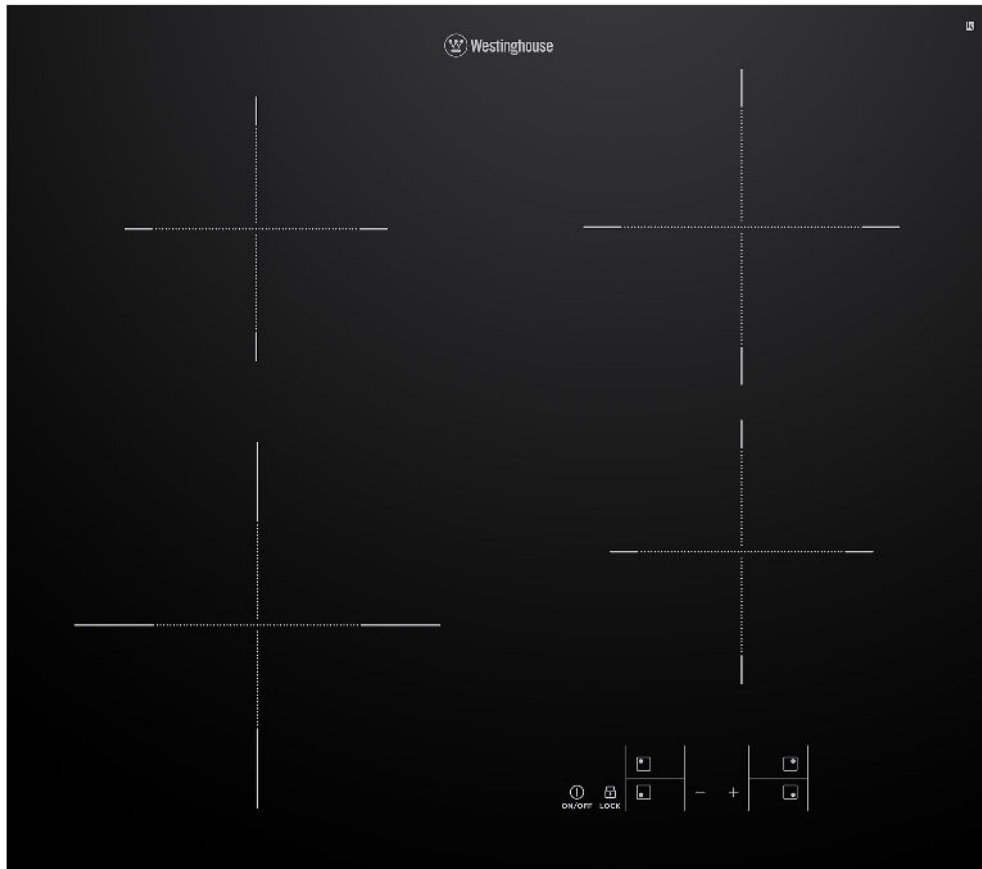


60cm 4 zone induction cooktop with residual heat indicator, child safety device and PowerBoost.  
COMMERCIAL SALES EXCLUSIVE



## Product Details

### FEATURES

---

Residual heat indicator

Child safety device

PowerBoost

Auto pot sensors

---

Touch control

Easy cleaning

Auto Off

---

### BENEFITS

---

#### Zero to Boil in no time

With PowerBoost, you can rapidly boil a pot of water or quickly heat up a frying pan. Spend less time waiting and more time creating your favourite meals.

#### Easy touch-on glass control

Total control is at your fingertips with a simple touch on the easy-clean glass control panel.

---

#### Easy clean ceramic surface

Not only aesthetically pleasing, the durable glass surface is easy to clean and maintain ensuring your kitchen is always looking at its best.

---

# Specifications

## PRODUCT PROFILE

Domestic warranty details (yrs)	2
Cooktop type	induction
Materials/Colour	black ceramic glass
Removable trim (for cleaning)	No
Wok included designed to fit cooktop	No

## CONTROLS

Controls of Cooktops	touch
Position of controls	front
Functions of Cooktops	automatic switch off,PowerBoost
Indicators/display	fault indicator
Features of Cooktop	hot surface indicator,pot sensors,child safety device lock,safety cut off

## DIMENSIONS

Total product height (mm)	51
Total product width (mm)	590
Total product depth (mm)	520
Cut out width (mm)	560
Cut out depth (mm)	490

## ELEMENTS/BURNERS

### LEFT FRONT ZONE

Left front zone	induction
Left front Watts	2300
Left front boost watts	3200
Left front diameter mm	210

## LEFT REAR ZONE

---

Left rear zone	induction
----------------	-----------

---

Left rear watts	1400
-----------------	------

---

Left rear diameter mm	140
-----------------------	-----

---

## RIGHT FRONT ZONE

---

Right front zone	induction
------------------	-----------

---

Right front Watts	1400
-------------------	------

---

Right front diameter mm	140
-------------------------	-----

---

## RIGHT REAR ZONE

---

Right rear zone	induction
-----------------	-----------

---

Right rear watts	1800
------------------	------

---

Right rear diameter mm	180
------------------------	-----

---

## ELECTRICAL SPECIFICATIONS

---

Connected load KW	6.5
-------------------	-----

---

Type of connection	hardwired
--------------------	-----------

---

## SHIPPING

---

Shipping Volume (m3)	0.049
----------------------	-------

---

Shipping Weight (Kg)	12
----------------------	----

---

Pack Dimensions Height (mm)	118
-----------------------------	-----

---

Pack Dimension Width (mm)	680
---------------------------	-----

---

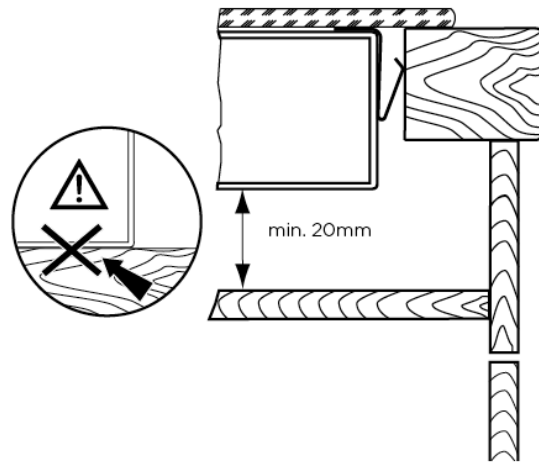
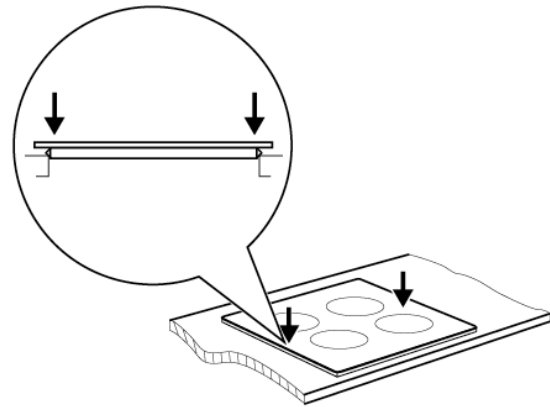
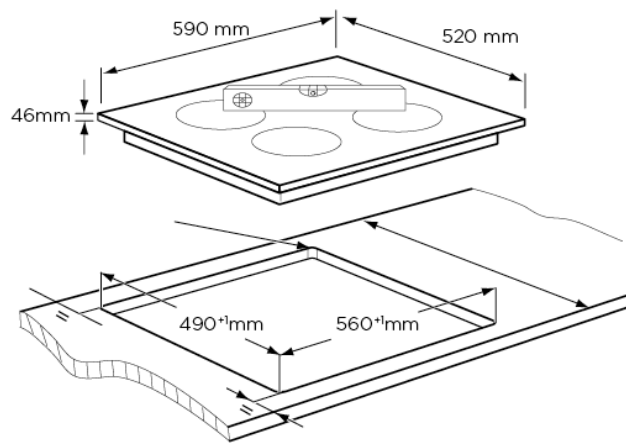
Pack Dimension Depth (mm)	600
---------------------------	-----

---

## Dimensions

### 60cm induction cooktops

WHI633BC, WHI643BC, WHI645BC, WHI641BCA



#### IMPORTANT

These dimensions are a guide only. All measurements are in millimetres (mm).  
For complete installation instructions, refer to the manual provided with product.

## Terms and Conditions

### IMPORTANT

This is a guide of product dimensions only. For complete installation instructions, refer to the manual provided with product.

### PRODUCT INFORMATION

The descriptors and illustrations in this publication apply to the specific products and models described as at the date of issue. Under our policy of continuous product development, product specifications may change without notice. Prospective purchasers should therefore check with their retailer to ensure this publication correctly describes the products that are being offered for sale. All information supplied is to be used for general reference purposes only and is on the understanding that Electrolux Home Products Pty Ltd (Australia) and Electrolux (NZ) Ltd (New Zealand) will not be liable for any loss, liability or damage of whatever kind arising as a result of reliance on such information. Colours of products illustrated are as close as printing limitations allow. Electrolux will at all times comply with its obligations pursuant to law including Trade Practices (Australian Consumer Law) Act and Regulations.

### WARRANTY

This warranty only applies to Appliances purchased and used in Australia or New Zealand and used in normal domestic applications and is in addition to (and does not exclude, restrict, or modify in any way) any non-excludable statutory warranties in Australia or New Zealand. All warranties are subject to the conditions set out in the warranty card accompanying the product when purchased.

#### ELECTROLUX HOME PRODUCTS AUSTRALIA

telephone: 1300 363 640

fax: 1800 350 067

email: [customercare@electrolux.com.au](mailto:customercare@electrolux.com.au)

web: [www.electrolux.com.au](http://www.electrolux.com.au)

#### ELECTROLUX HOME PRODUCTS NEW ZEALAND

telephone: 09 573 2230

fax: 09 573 2221

email: [customercare@electrolux.co.nz](mailto:customercare@electrolux.co.nz)

web: [www.electrolux.co.nz](http://www.electrolux.co.nz)